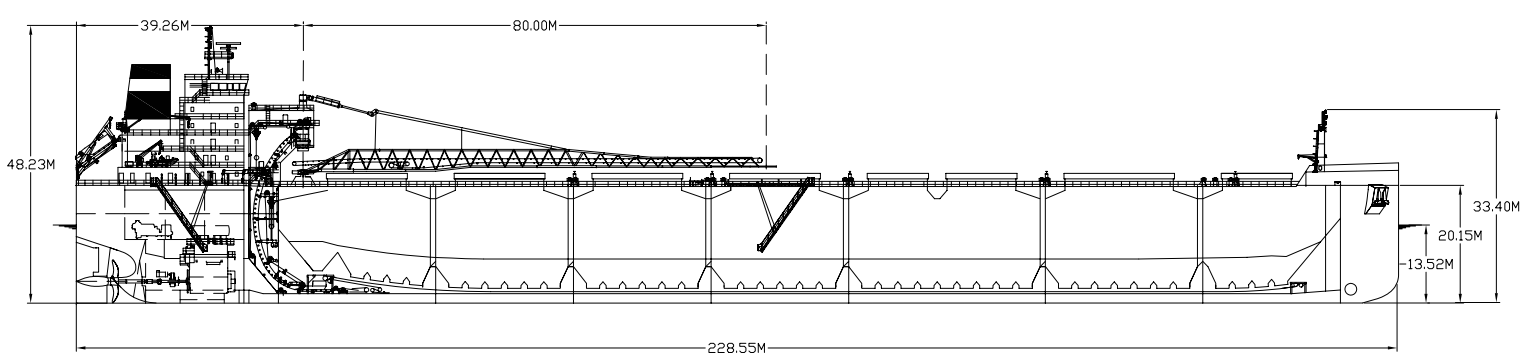
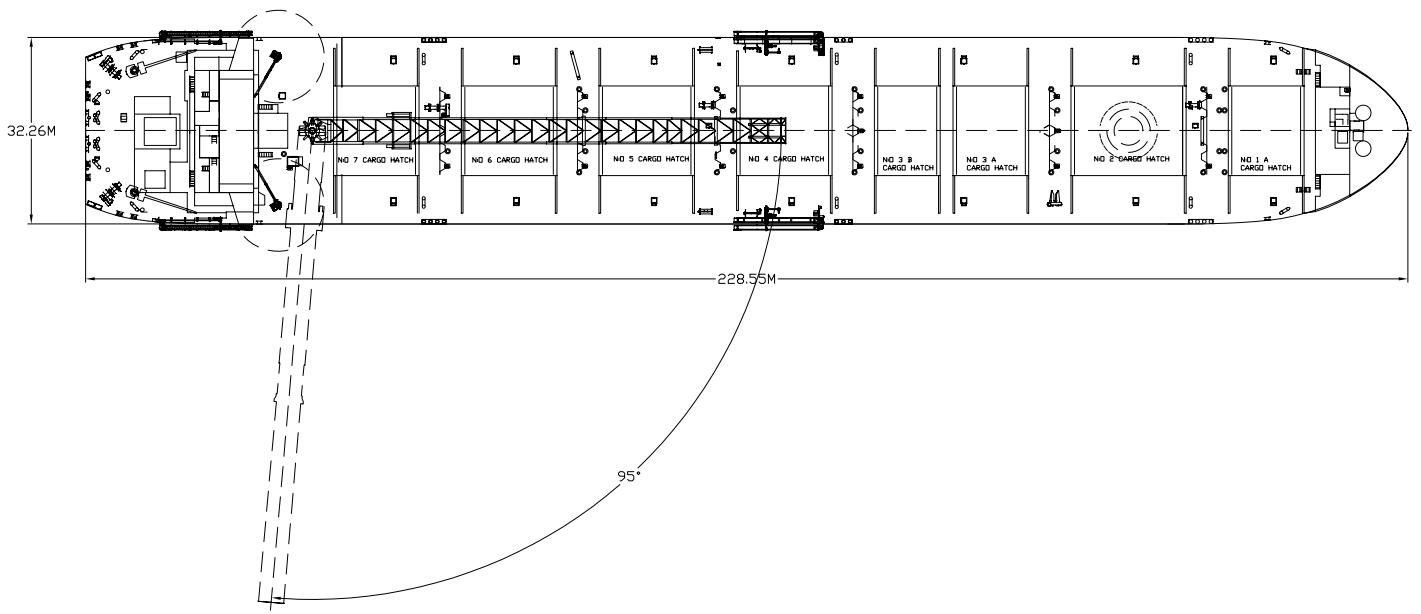
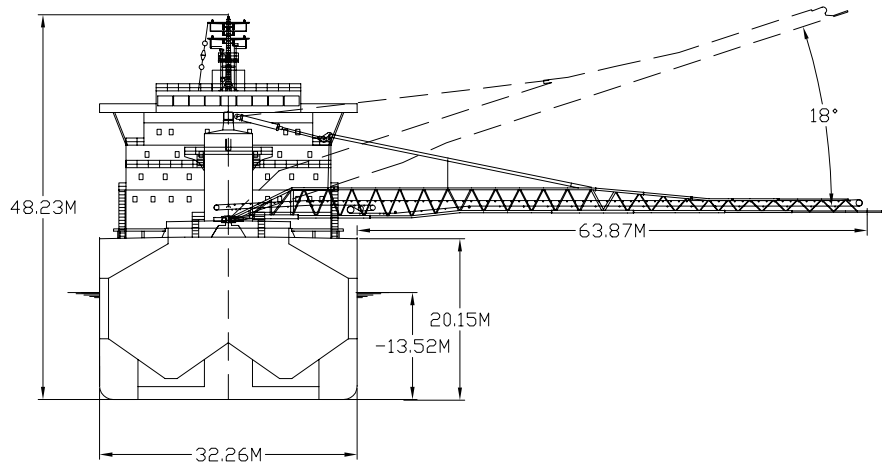




Built	2013
Classification	Lloyd's Register
Length Overall	228.55 metres
Length between Perps	225.19 metres
Breadth Moulded	32.26 metres
Depth Moulded	20.16 metres
Total Hold Capacity (inc. hatches)	71,476.0 cubic metres
Draught Summer	13.517 metres
Deadweight	71,405.30 tonnes
Gross Tonnage	43,691.00 tonnes
Net Tonnage	17,087.00 tonnes
Bow Thruster	1,500.00 kW
Length of Boom	80.00 metres
Discharge Rate	Coal 4,200 tonnes/hr
	Gypsum 4,500 tonnes/hr
	Aggregates 5,000 tonnes/hr
	Iron Ore 6,000 tonnes/hr



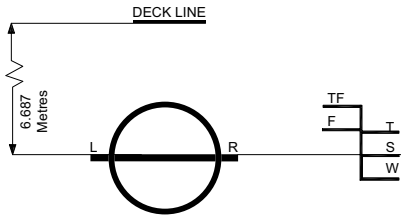
Air Drafts													
(metres)													
Draft Condition	Trim (at PP)	Draught		Stem	Foremast	Hatches (rolled to one side)			Cargo Gear	Main Mast	Funnel	Stern	Maximum
		AP	FP			Forward	Midship	Aft					
Height above keel				24.25	33.40	21.26	21.26	21.26	36.06	48.23	44.14	20.35	48.23
Light Ship	4.38	5.07	0.69	23.58	30.54	20.26	18.47	16.83	31.72	43.57	39.25	15.23	43.57
Normal Ballast 50% Bunker	2.89	8.22	5.33	18.95	26.65	15.72	14.55	13.46	28.34	40.30	36.05	12.11	40.30
Fully Loaded 50% Bunker	0.67	13.85	13.17	11.10	19.91	8.04	7.76	7.51	22.35	34.47	30.35	6.52	34.47

Hatch and Hold Specifications										
Hold Number	1	2	3	4	5	6	7	TOTAL		
Hold Volumes (cubic metres)										
Maximum Cubic	7,390.0	11,270.0	14,175.0	9,866.0	9,865.0	9,870.0	9,040.0	71,476.0		
Hold Openings (metres)										
Hatch Number	1	2	3A	3B	4	5	6	7		
Opening Length	12.00	18.90	12.00	10.30	15.30	15.30	15.30	13.80		
Opening Width	15.10	15.10	15.10	15.10	15.10	15.10	15.10	15.10		
Coaming Height above Keel	21.26	21.26	21.26	21.26	21.26	21.26	21.26	21.26		
Hatch Information (metres)										
Description	side-rolling panels	side-rolling panels	side-rolling panels	side-rolling panels	side-rolling panels	side-rolling panels	side-rolling panels	side-rolling panels	side-rolling panels	
Operation	hydraulic	hydraulic	hydraulic	hydraulic	hydraulic	hydraulic	hydraulic	hydraulic	hydraulic	
Hatch Length	12.30	19.11	12.30	10.61	15.71	15.71	15.71	14.01		
Hatch Width	16.84	16.84	16.84	16.84	16.84	16.84	16.84	16.84		
Hatch Top Height above Keel	22.04	22.04	22.04	22.04	22.04	22.04	22.04	22.04		

Cargo Handling Equipment	
• Two 0.66 - 2.54 m/s hold conveyors	
• Two 2.5 m/s transfer conveyors	
• One 1.3 - 4.3 m/s Boom conveyor	
• One 1.4 - 4.8 m/s 'C' Loop conveyor	
• Tunnel Belts - Wide:	2134 mm
• Boom Belt - Wide:	1981 mm
• Transfer Belt - Wide:	1981 mm
• All Belts have 35 degree trough	
• Dust Suppression: dust collectors plus water sprayers on the boom and foam sprayers in the transfers.	
• Discharge Rate:	
Aggregates	5,000 tonnes/hr
Coal	4,200 tonnes/hr
Iron Ore	6,000 tonnes/hr
• Maximum boom outreach: 63.87 metres	

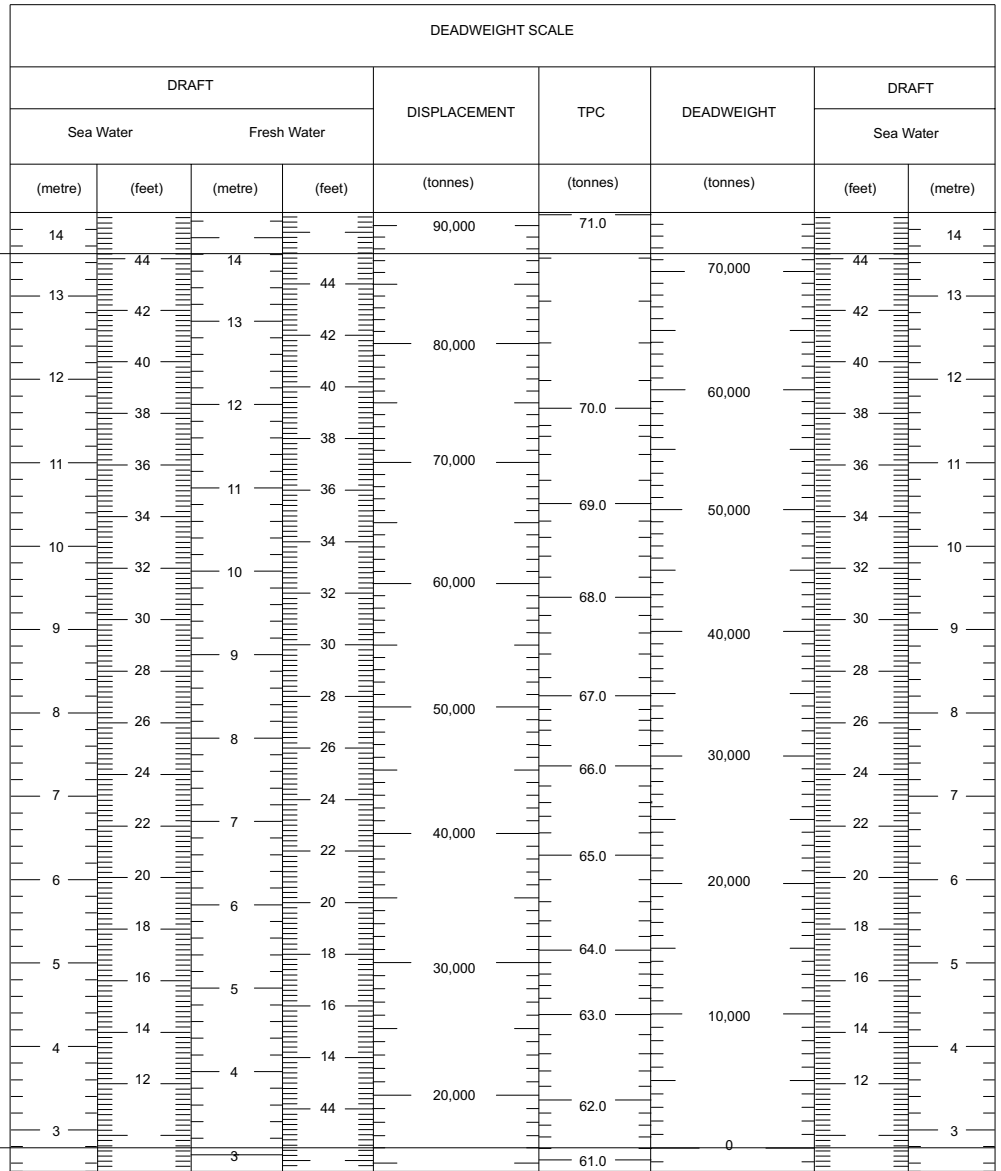
Consumption (tonnes per day)				
	Speed		Main Engine	Aux. Generators
	Loaded	Ballast	IFO	IFO
Sea (77RPM)	14	14.5	34	3.1
Port / Anchorage				3.1
Loading				4.6
Discharge				5.8

For more information on this ship please visit www.cslships.com



ASSIGNED DRAFTS			
Season	Draft (metre)	Displ. (tonnes)	DWT (tonnes)
TF	14.11	89,423	73,355
F	13.83	87,477	71,409
T	13.80	89,465	73,397
S	13.52	87,473	71,405
W	13.24	85,485	69,417

Light Ship
16,068 tonnes

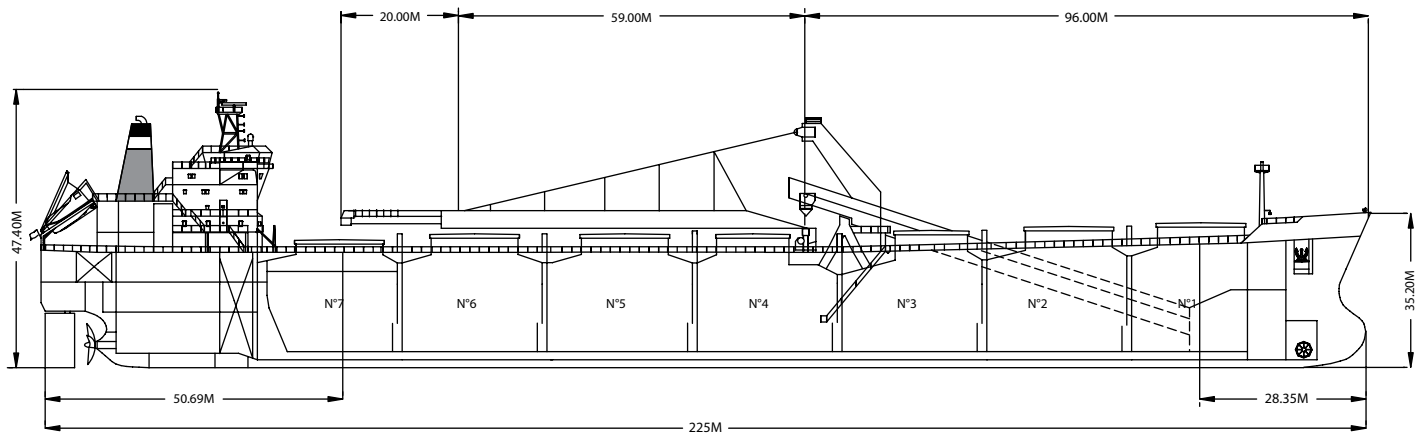
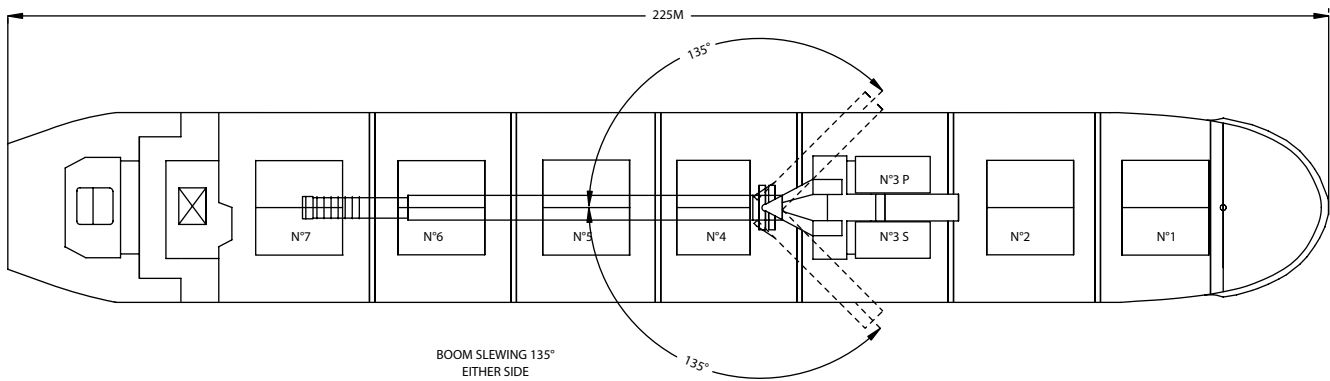
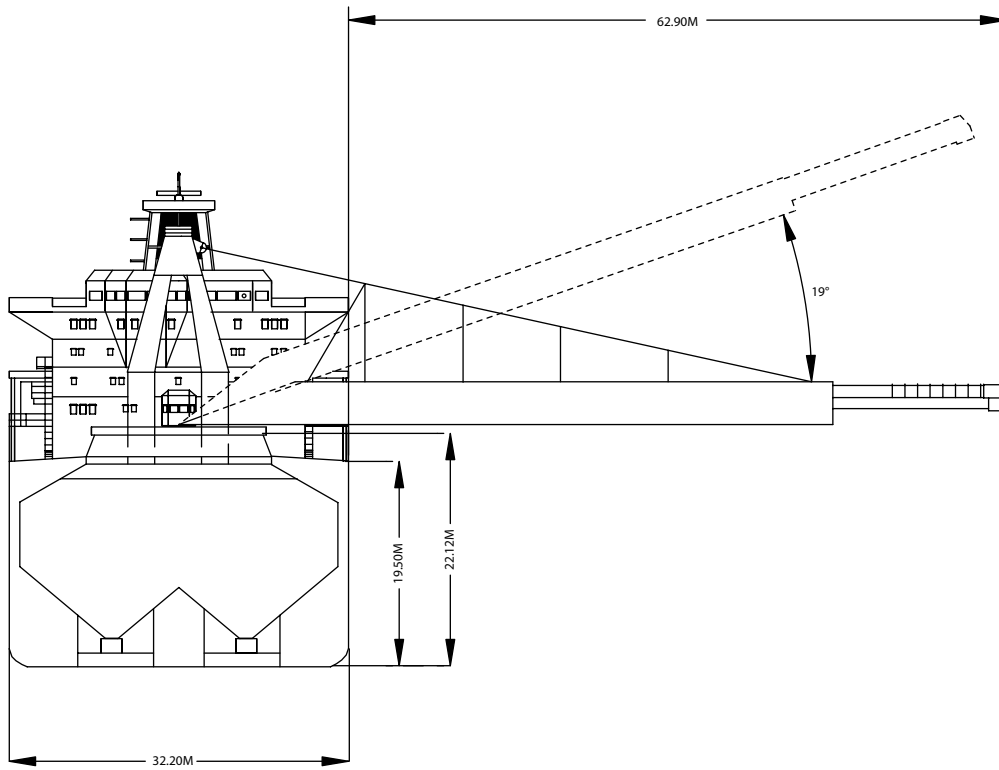


For more information on this ship please visit www.cslships.com



The Sheila Ann unloads gypsum at Tacoma, Washington.

Built	1999
Classification	DNV +1A1
Length Overall	225.00 metres
Breadth Moulded	32.20 metres
Depth Moulded	19.51 metres
Total Hold Capacity (including hatches)	66,333.24 cubic metres
Deadweight	70,037 tonnes
Draft	14.42 metres
Gross Tonnage	41,428 tonnes
Net Tonnage	19,174 tonnes
Bow Thruster	1325 kW
Length of Boom	79.00 metres
Discharge Rate	-Coal	4,000 tonnes/hr
	-Ore	6,000 tonnes/hr



0981-04 08/22/04

Air Drafts												
<i>(metres)</i>												
Draft Condition	Stem	Foremast	Hatches			Cargo Gear	Main Mast		Funnel	Stern	Other Obstruction*	Maximum
			Forward	Midship	Aft		Deployed	Lowered				
Keel	26.36	35.40	24.30	22.46	21.55	43.11	47.28	N/A	42.7	20.00	25.90	47.28
Light Ship	24.55	33.37	22.27	19.00	16.69	40.10	43.05	N/A	38.3	15.34	23.05	43.05
Normal Ballast 50% Bunker	18.71	27.65	16.55	13.53	12.65	34.94	38.54	N/A	33.9	11.10	17.81	38.54
Fully Loaded 50% Bunker	12.21	21.20	10.10	10.11	6.87	28.74	32.67	N/A	28.1	5.32	11.56	32.67

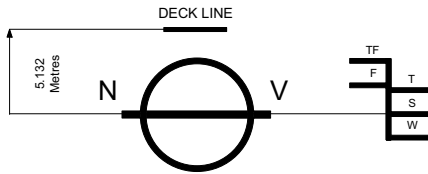
*Incline Belt Gallery max. elevation (above Keel) over aft part of Hold No.3 (may affect loading of the opposite side of the Hold)

Hatch and Hold Specifications									
Hold Number	1	2	3	4	5	6	7	TOTAL	
Hold Volumes (cubic metres)									
Cubic	8,064.2	9,779.9	9,187.7	9,088.4	9,705.0	9,772.2	8664.8	64262.1	
Maximum Grain	8,335.9	10,044.6	9,545.0	9,556.1	9,925.4	9,992.6	8,933.7	66333.2	
Grain in way of Hatch	271.7	264.6	357.3	467.7	220.4	220.4	268.9	2071.2	
Hold Openings (metres)									
Number of Openings	1	1	2	1	1	1	1	1	8
Opening Length	14.76	14.76	12.30	12.30	14.76	14.76	14.76	14.76	
Opening Width	16.00	16.00	5.80	16.00	16.00	16.00	16.00	16.00	
Coaming Height above Keel	23.90	23.20	22.50	22.03	22.10	22.10	21.10	21.10	
Hatch Information (metres)									
Description	Side-rolling Panels	Side-rolling Panels	Side-rolling Panels	Side-rolling Panels	Side-rolling Panels	Side-rolling Panels	Side-rolling Panels	Side-rolling Panels	
Operation	Hydraulic	Hydraulic	Hydraulic	Hydraulic	Hydraulic	Hydraulic	Hydraulic	Hydraulic	
Hatch Length	15.06	15.06	12.62	12.60	15.06	15.06	15.06	15.06	
Hatch Width	8.15	8.15	6.12	8.15	8.15	8.15	8.15	8.15	
Hatch Top Height above Keel	24.85	24.15	23.45	22.97	23.05	23.05	22.05	22.05	

Cargo Handling Equipment
• Telescopic boom
• A shuttle-type conveyor is fitted at the toe and extends boom 20m
• Two 3.5 m/s hold conveyors
• Two 3.5 m/s transfer conveyors. One 4.0 m/s inclined belt.
• All belts 1.8m wide with 35 degree trough
• Dust Suppression: All holds and transfer points are filled with positive air pressure dust collectors plus water sprayers and surfactant applicators.
• Unloader Inner Boom Length: 59.00 metres
• Discharge Rate - Coal: 4,000 tonnes/hr - Ore: 6,000 tonnes/hr
• Maximum Boom Outreach: 62.90 metres

Consumption (tonnes per day)				
	Speed		Main Engine	Generators
	Loaded	Ballast	IFO	MDO
Sea	15.3 knots	15.9 knots	46	0.1
Port / Anchorage			5	0.3
Loading / Discharge			7	0.3

For more information on this ship please visit
www.cslships.com



ASSIGNED DRAFTS			
Season	Draft (metre)	Displ. (tonnes)	DWT (tonnes)
TF	15.05	89,077	71,530
F	14.75	87,329	69,782
T	14.72	89,575	72,028
S	14.42	87,584	70,037
W	14.12	85,599	68,052

DEADWEIGHT SCALE									
DRAFT				DISPLACEMENT	TPC	DEADWEIGHT	DRAFT		
Sea Water		Fresh Water					Sea Water		
(metre)	(feet)	(metre)	(feet)	(tonnes)	(tonnes)	(tonnes)	(feet)	(metre)	
	48	15		90,000			48		
14	46		48		66		46	14	
	44	14	46	80,000			44		
13	42		44			60,000	42	13	
	40	13	42				40		
12	38		40	70,000			38	12	
	36	12	38			50,000	36		
11	34		36		64		34	11	
	32	11	34	60,000			32		
10	30		32			40,000	30	10	
	28	10	30				28		
9	26		28	50,000	62	30,000	26	9	
	24	9	26				24		
8	22		24	40,000		20,000	22	8	
	20	8	22				20		
7	18		20				18	7	
	16	7	18	30,000	60	10,000	16		
6	14		16				14	6	
	12	6	14				12		
5	10		12	20,000			10	5	
	8	5	10				8		
4									
		4							
3									
		3			58				
		8							

Light Ship
17,547 tonnes

0981-04 06/13/06



For more information on this ship please visit
www.cslships.com